



Spring 1 2018

Class 4



Class 4 have been having lots of fun during Forest Schools sessions

We have enjoyed reading stories, making wooden models, using tools learning about animals and role play.



Everyone loved the **Stickman** story. We all made our own stickman characters and took them outside for some new adventures.



Good reading.



Good looking and listening



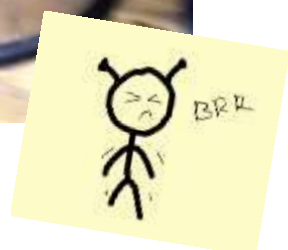


Careful stickman

that water's very cold!



Where is he hiding now?



We learnt how to respect and use tools safely.



Secateurs



hot glue gun



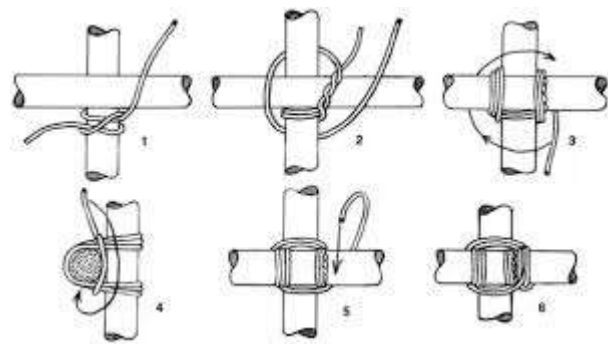
String

Kaden, Remi and Steven are wearing gloves to prevent cuts and burns.





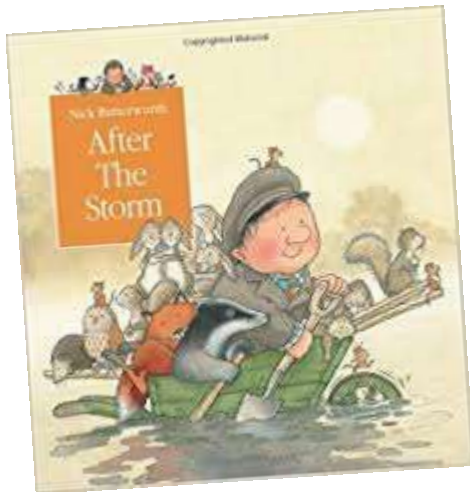
It was very tricky square lashing the string to hold the sticks together. Kaden and Steven are working really hard. Well done!



We used a hot glue gun to fix on the facial features.

Eyes nose mouth





We have also been reading **Percy the Park Keeper** books. Everyone enjoyed **After the Storm**.

We played a Guessing game. "What animal am I? "



Everyone was very good at describing animals and working out the clues.



Using our tool skills we made our own models.

Alex, Connor and Finley are using a hammer and nails.



Everyone was very good at remembering our tool safety rules.



Well done everyone

